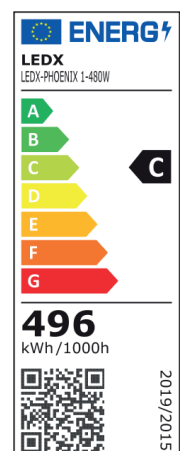
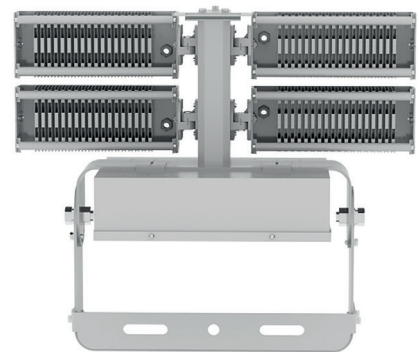


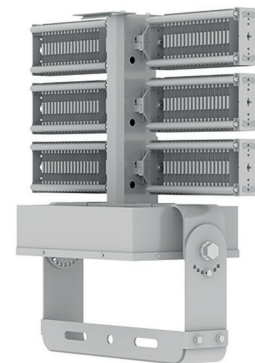
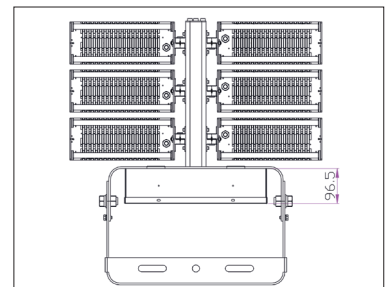
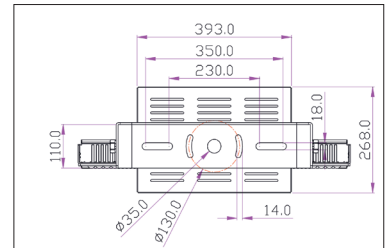
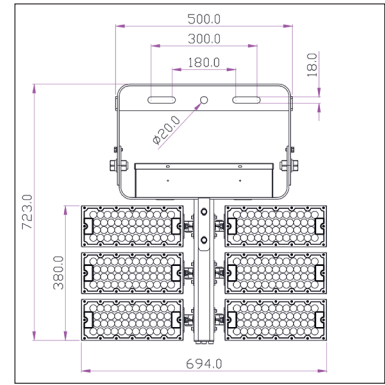
DATA SHEET

LEDX PHOENIX 2
480 watts
including power adapter
and power adapter box

Item number	LEDX-PHOENIX 2-480W
LED Type	SMD
LED Power supply	Meanwell or equivalent
LED Power	480 watt
Voltage	AC90-305V
Frequency	50/60 Hz
Light color	3000/4000/5000 or 6500 Kelvin
Beam angle	20° / 40° / 60° / 90° or H140xV100
Ambient temperature	-40° to +55° C
Luminous flux	74000 Lumens
Colour reproduction	CRI 85-95 depending on the color of the light
Power Factor	$\geq 0,95$
Switching resistance	> 100000
Start-up time	1 second
Ingress Protection	IP65
Protection class	I
Impact resistance	IK 08
Weight	20,9 kg
Dimensions	L591 x W695 x H268mm
Material	Aluminum, PMMA, Stainless Steel
Dimming	not dimmable dimmable optional: 0-10V, DALI or Zigbee
Others	incl. 2 meter connection with EU plug (EU plug IP20, only for test) Housing color gray/silver
Energy efficiency	C
Lifespan	L80/B10 at 50000 hours
Certificates	CE, RoHS



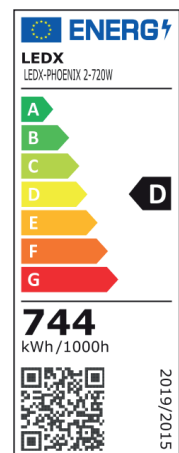
Our general terms and conditions apply. See also www.ledx.at.
A deviation of the technical data of +/-10% is possible. Misprints and errors excepted.
Product pictures are exemplary and may deviate from the original.
We reserve the right to make formal and technical changes.



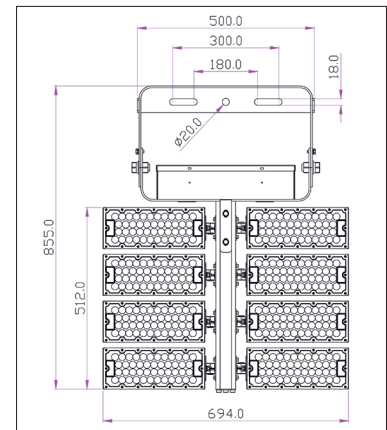
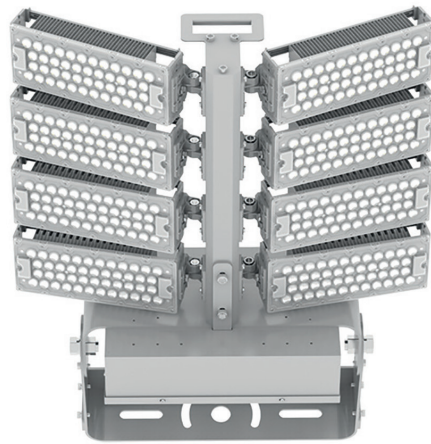
DATA SHEET

LEDX PHOENIX 2
720 watts
including power adapter
and power adapter box

Item number	LEDX-PHOENIX 2-720W
LED Type	SMD
LED Power supply	Meanwell or equivalent
LED Power	720 watt
Voltage	AC90-305V
Frequency	50/60 Hz
Light color	3000/4000/5000 or 6500 Kelvin
Beam angle	20° / 40° / 60° / 90° or H140xV100
Ambient temperature	-40° to +55° C
Luminous flux	111000 Lumens
Colour reproduction	CRI 85-95 depending on the color of the light
Power Factor	≥ 0,95
Switching resistance	> 100000
Start-up time	1 second
Ingress Protection	IP65
Protection class	I
Impact resistance	IK 08
Weight	24,1 kg
Dimensions	L723 x W695 x H268mm
Material	Aluminum, PMMA, Stainless Steel
Dimming	not dimmable dimmable optional: 0-10V, DALI or Zigbee
Others	incl. 2 meter connection with EU plug (EU plug IP20, only for test) Housing color gray/silver
Energy efficiency	D
Lifespan	L80/B10 at 50000 hours
Certificates	CE, RoHS

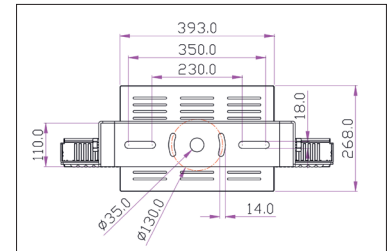


Our general terms and conditions apply. See also www.ledx.at.
 A deviation of the technical data of +/-10% is possible. Misprints and errors excepted.
 Product pictures are exemplary and may deviate from the original.
 We reserve the right to make formal and technical changes.

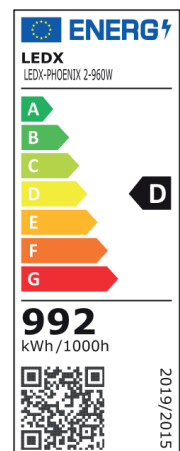
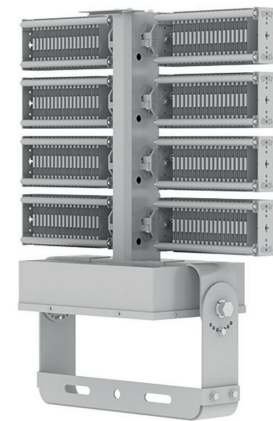


DATA SHEET

LEDX PHOENIX 2
960 watts
including power adapter
and power adapter box



Item number	LEDX-PHOENIX 2-960W
LED Type	SMD
LED Power supply	Meanwell or equivalent
LED Power	960 watt
Voltage	AC90-305V
Frequency	50/60 Hz
Light color	3000/4000/5000 or 6500 Kelvin
Beam angle	20° / 40° / 60° / 90° or H140xV100
Ambient temperature	-40° to +55° C
Luminous flux	148000 Lumens
Colour reproduction	CRI 85-95 depending on the color of the light
Power Factor	$\geq 0,95$
Switching resistance	> 100000
Start-up time	1 second
Ingress Protection	IP65
Protection class	I
Impact resistance	IK 08
Weight	27,3 kg
Dimensions	L865 x W695 x H268mm
Material	Aluminum, PMMA, Stainless Steel
Dimming	not dimmable dimmable optional: 0-10V, DALI or Zigbee
Others	incl. 2 meter connection with EU plug (EU plug IP20, only for test) Housing color gray/silver
Energy efficiency	D
Lifespan	L80/B10 at 50000 hours
Certificates	CE, RoHS



Our general terms and conditions apply. See also www.ledx.at.
A deviation of the technical data of +/-10% is possible. Misprints and errors excepted.
Product pictures are exemplary and may deviate from the original.
We reserve the right to make formal and technical changes.