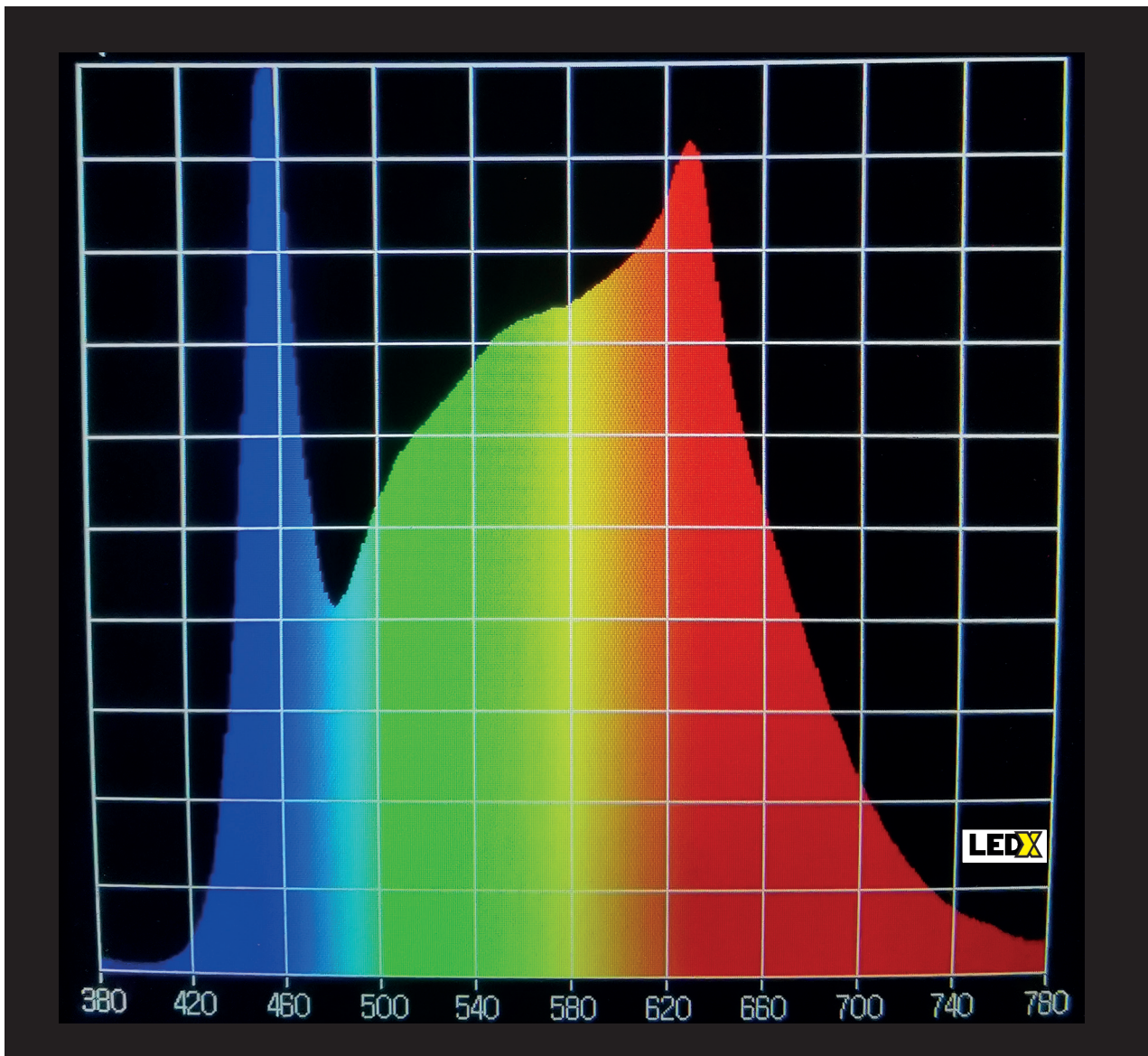
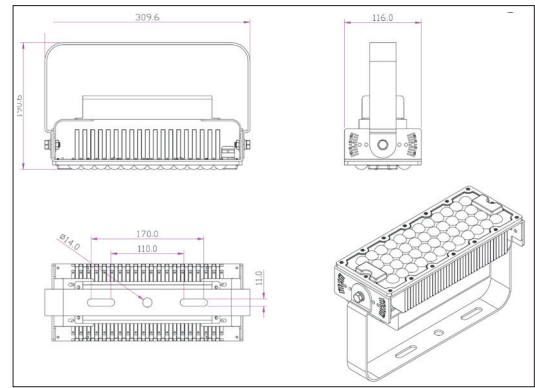


Light spectrum

*a 240 watt LEDX PHOENIX GROW
from 380-780nm
TLCI >95%, PPFD 1.331*

90° beam angle

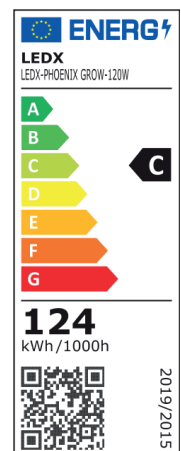




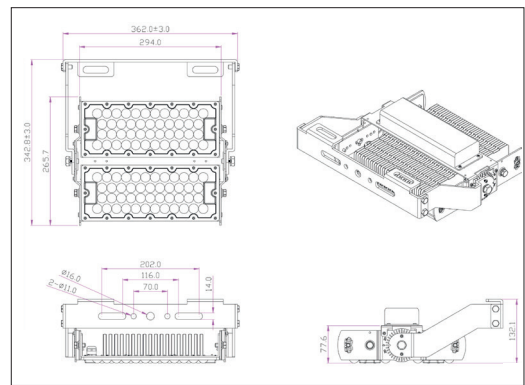
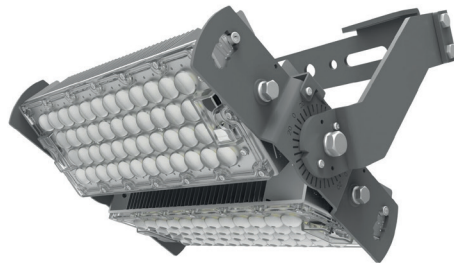
DATA SHEET

LEDX PHOENIX GROW
120 watts
including power adapter
and power adapter box

Item number	LEDX-PHOENIX GROW-120W
LED Type	SMD
LED Power supply	Meanwell or equivalent
LED Power	120 watt
Voltage	AC90-305V
Frequency	50/60 Hz
Light color	4200 Kelvin
Beam angle	20° / 40° / 60° / 90° or H140xV100
Ambient temperature	-40° to +55° C
Luminous flux	18000 Lumens
Colour reproduction	CRI 95
Power Factor	≥ 0,95
Switching resistance	> 100000
Start-up time	1 second
Ingress Protection	IP65
Protection class	I
Impact resistance	IK 08
Weight	3 kg
Dimensions	L310 x W116 x H132mm
Material	Aluminum, PMMA, Stainless Steel
Dimming	not dimmable dimmable optional: 0-10V, DALI or Zigbee
Others	incl. 2 meter connection with EU plug (EU plug IP20, only for test) Housing color gray/silver
Energy efficiency	C
Lifespan	L70/B20 at 30000 hours
Certificates	CE, RoHS



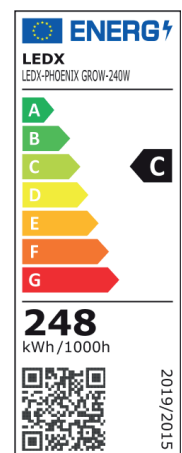
Our general terms and conditions apply. See also www.ledx.at.
 A deviation of the technical data of +/-10% is possible. Misprints and errors excepted.
 Product pictures are exemplary and may deviate from the original.
 We reserve the right to make formal and technical changes.



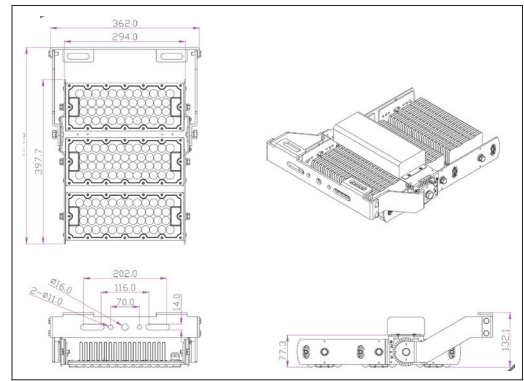
DATA SHEET

LEDX PHOENIX GROW
240 watts
including power adapter
and power adapter box

Item number	LEDX-PHOENIX GROW-240W
LED Type	SMD
LED Power supply	Meanwell or equivalent
LED Power	240 watt
Voltage	AC90-305V
Frequency	50/60 Hz
Light color	4200 Kelvin
Beam angle	20° / 40° / 60° / 90° or H140xV100
Ambient temperature	-40° to +55° C
Luminous flux	36000 Lumens
Colour reproduction	CRI 95
Power Factor	≥ 0,95
Switching resistance	> 100000
Start-up time	1 second
Ingress Protection	IP65
Protection class	I
Impact resistance	IK 08
Weight	5 kg
Dimensions	L358 x W343 x H132mm
Material	Aluminum, PMMA, Stainless Steel
Dimming	not dimmable dimmable optional: 0-10V, DALI or Zigbee
Others	incl. 2 meter connection with EU plug (EU plug IP20, only for test) Housing color gray/silver
Energy efficiency	C
Lifespan	L70/B20 at 30000 hours
Certificates	CE, RoHS



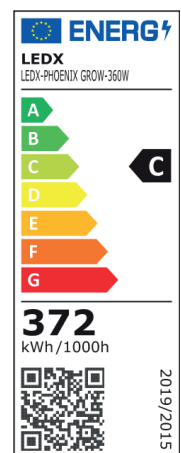
Our general terms and conditions apply. See also www.ledx.at.
 A deviation of the technical data of +/-10% is possible. Misprints and errors excepted.
 Product pictures are exemplary and may deviate from the original.
 We reserve the right to make formal and technical changes.



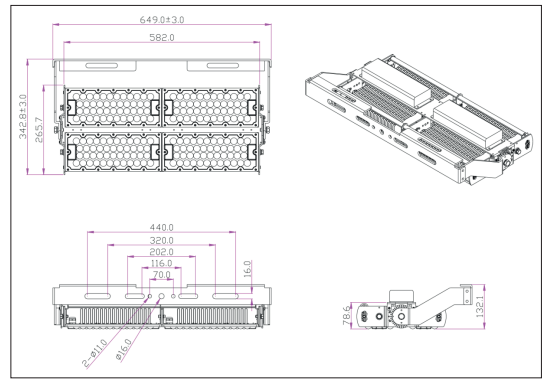
DATA SHEET

LEDX PHOENIX GROW
360 watts
 including power adapter
 and power adapter box

Item number	LEDX-PHOENIX GROW-360W
LED Type	SMD
LED Power supply	Meanwell or equivalent
LED Power	360 watt
Voltage	AC90-305V
Frequency	50/60 Hz
Light color	4200 Kelvin
Beam angle	20° / 40° / 60° / 90° or H140xV100
Ambient temperature	-40° to +55° C
Luminous flux	54000 Lumens
Colour reproduction	CRI 95
Power Factor	≥ 0,95
Switching resistance	> 100000
Start-up time	1 second
Ingress Protection	IP65
Protection class	I
Impact resistance	IK 08
Weight	7 kg
Dimensions	L358 x W476 x H132mm
Material	Aluminium, PMMA, Stainless Steel
Dimming	not dimmable dimmable optional: 0-10V, DALI or Zigbee
Others	incl. 2 meter connection with EU plug (EU plug IP20, only for test) Housing color gray/silver
Energy efficiency	C
Lifespan	L70/B20 at 30000 hours
Certificates	CE, RoHS



Our general terms and conditions apply. See also www.ledx.at.
 A deviation of the technical data of +/-10% is possible. Misprints and errors excepted.
 Product pictures are exemplary and may deviate from the original.
 We reserve the right to make formal and technical changes.

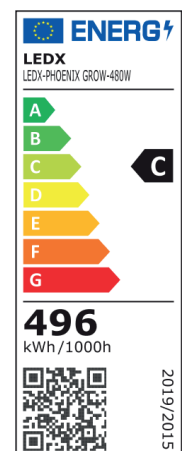


DATA SHEET

LEDX PHOENIX GROW
480 watts
including power adapter
and power adapter box



Item number	LEDX-PHOENIX GROW-480W
LED Type	SMD
LED Power supply	Meanwell or equivalent
LED Power	480 watt
Voltage	AC90-305V
Frequency	50/60 Hz
Light color	4200 Kelvin
Beam angle	20° / 40° / 60° / 90° or H140xV100
Ambient temperature	-40° to +55° C
Luminous flux	72000 Lumens
Colour reproduction	CRI 95
Power Factor	≥ 0,95
Switching resistance	> 100000
Start-up time	1 second
Ingress Protection	IP65
Protection class	I
Impact resistance	IK 08
Weight	9 kg
Dimensions	L650 x W343 x H132mm
Material	Aluminium, PMMA, Stainless Steel
Dimming	not dimmable dimmable optional: 0-10V, DALI or Zigbee
Others	incl. 2 meter connection with EU plug (EU plug IP20, only for test) Housing color gray/silver
Energy efficiency	C
Lifespan	L70/B20 at 30000 hours
Certificates	CE, RoHS



Our general terms and conditions apply. See also www.ledx.at.
 A deviation of the technical data of +/-10% is possible. Misprints and errors excepted.
 Product pictures are exemplary and may deviate from the original.
 We reserve the right to make formal and technical changes.