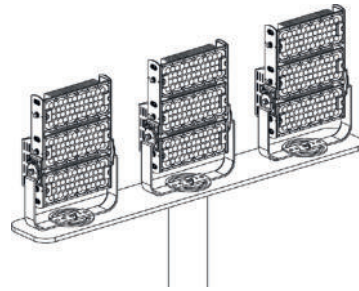
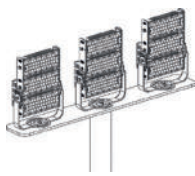


One lamp for five different areas of application.

FLOOD LIGHT



Adapter
for vertical mounting.
Price on request.

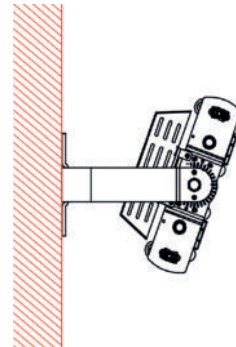


STREET LIGHT

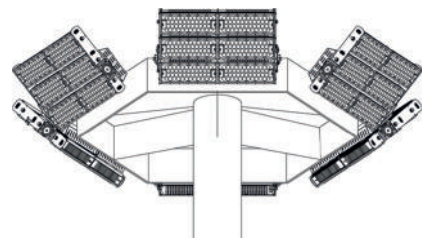


Adapter for masts.
Price on request.

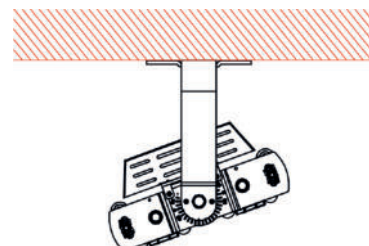
TUNNEL LIGHT

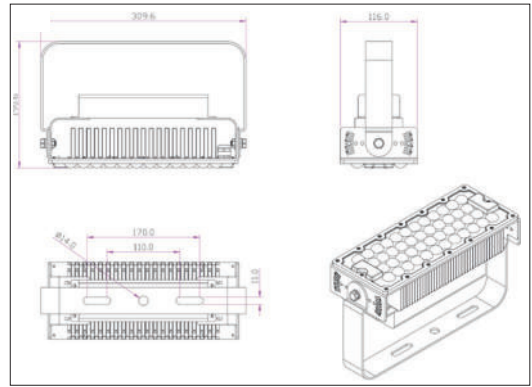


HIGH MAST LIGHT



HIGH BAY LIGHT



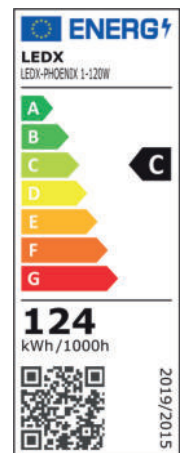


DATA SHEET

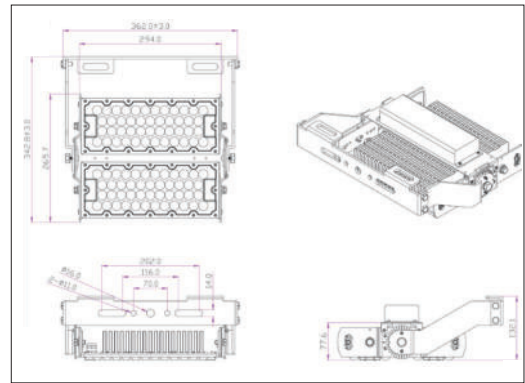
LEDX PHOENIX 1
120 watts
including power adapter
and power adapter box



Item number	LEDX-PHOENIX 1-120W
LED Type	SMD
LED Power adapter	Meanwell or equivalent
LED Power	120 watt
Voltage	AC90-305V
Frequency	50/60 Hz
Light color	3000/4000/5000 or 6500 Kelvin
Beam angle	20° / 40° / 60° / 90° or H140xV100
Ambient temperature	-40° to +55° C
Luminous flux	18500 Lumens
Colour reproduction	CRI 85-95 depending on the color of the light
Power Factor	≥ 0,95
Switching resistance	> 100000
Start-up time	1 second
Ingress Protection	IP65
Protection class	I
Impact resistance	IK 08
Weight	3 kg
Dimensions	L278 x W191 x H230mm
Material	Aluminum, PMMA, Stainless Steel
Dimming	not dimmable dimmable optional: 0-10V, DALI or Zigbee
Others	incl. 2 meter connection with EU plug (EU plug IP20, only for test) Housing color gray/silver
Energy efficiency	C
Lifespan	L80/B10 at 50000 hours
Certificates	CE, RoHS



Our general terms and conditions apply. See also www.ledx.at.
 A deviation of the technical data of +/-10% is possible. Misprints and errors excepted.
 Product pictures are exemplary and may deviate from the original.
 We reserve the right to make formal and technical changes.

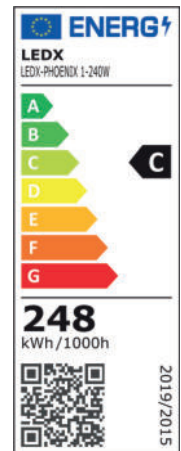


DATA SHEET

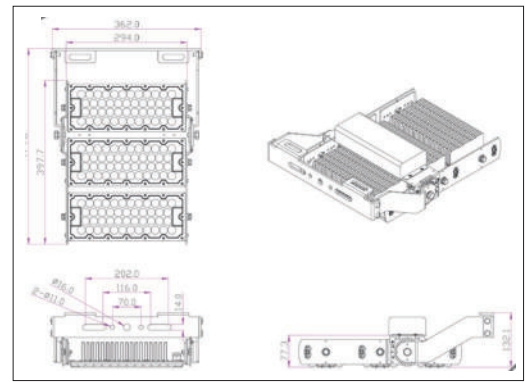
LEDX PHOENIX 1
240 watts
including power adapter
and power adapter box



Item number	LEDX-PHOENIX 1-240W
LED Type	SMD
LED Power adapter	Meanwell or equivalent
LED Power	240 watt
Voltage	AC90-305V
Frequency	50/60 Hz
Light color	3000/4000/5000 or 6500 Kelvin
Beam angle	20° / 40° / 60° / 90° or H140xV100
Ambient temperature	-40° to +55° C
Luminous flux	37000 Lumens
Colour reproduction	CRI 85-95 depending on the color of the light
Power Factor	≥ 0,95
Switching resistance	> 100000
Start-up time	1 second
Ingress Protection	IP65
Protection class	I
Impact resistance	IK 08
Weight	5 kg
Dimensions	L358 x W343 x H132mm
Material	Aluminum, PMMA, Stainless Steel
Dimming	not dimmable dimmable optional: 0-10V, DALI or Zigbee
Others	incl. 2 meter connection with EU plug (EU plug IP20, only for test) Housing color gray/silver
Energy efficiency	C
Lifespan	L80/B10 at 50000 hours
Certificates	CE, RoHS



Our general terms and conditions apply. See also www.ledx.at.
 A deviation of the technical data of +/-10% is possible. Misprints and errors excepted.
 Product pictures are exemplary and may deviate from the original.
 We reserve the right to make formal and technical changes.

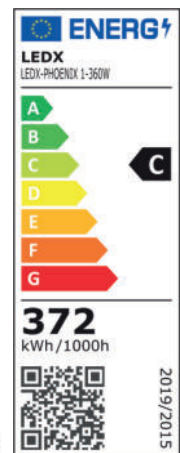


DATA SHEET

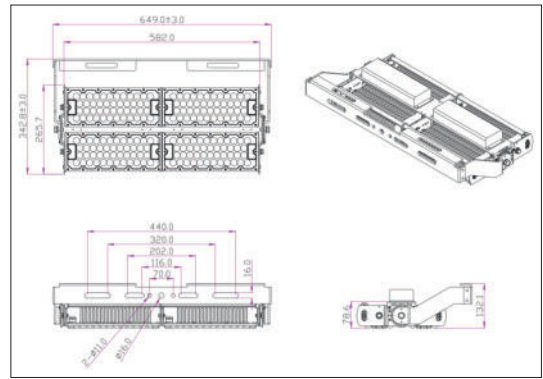
LEDX PHOENIX 1
360 watts
including power adapter
and power adapter box



Item number	LEDX-PHOENIX 1-360W
LED Type	SMD
LED Power adapter	Meanwell or equivalent
LED Power	360 watt
Voltage	AC90-305V
Frequency	50/60 Hz
Light color	3000/4000/5000 or 6500 Kelvin
Beam angle	20° / 40° / 60° / 90° or H140xV100
Ambient temperature	-40° to +55° C
Luminous flux	55500 Lumens
Colour reproduction	CRI 85-95 depending on the color of the light
Power Factor	≥ 0,95
Switching resistance	> 100000
Start-up time	1 second
Ingress Protection	IP65
Protection class	I
Impact resistance	IK 08
Weight	7 kg
Dimensions	L358 x W476 x H132mm
Material	Aluminum, PMMA, Stainless Steel
Dimming	not dimmable dimmable optional: 0-10V, DALI or Zigbee
Others	incl. 2 meter connection with EU plug (EU plug IP20, only for test) Housing color gray/silver
Energy efficiency	C
Lifespan	L80/B10 at 50000 hours
Certificates	CE, RoHS



Our general terms and conditions apply. See also www.ledx.at.
 A deviation of the technical data of +/-10% is possible. Misprints and errors excepted.
 Product pictures are exemplary and may deviate from the original.
 We reserve the right to make formal and technical changes.

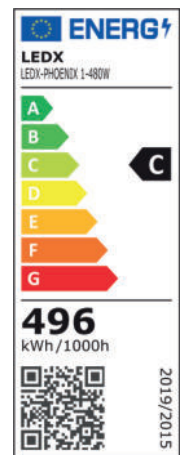


DATA SHEET

LEDX PHOENIX 1
480 watts
including power adapter
and power adapter box



Item number	LEDX-PHOENIX 1-480W
LED Type	SMD
LED Power adapter	Meanwell or equivalent
LED Power	480 watt
Voltage	AC90-305V
Frequency	50/60 Hz
Light color	3000/4000/5000 or 6500 Kelvin
Beam angle	20° / 40° / 60° / 90° or H140xV100
Ambient temperature	-40° to +55° C
Luminous flux	74000 Lumens
Colour reproduction	CRI 85-95 depending on the color of the light
Power Factor	≥ 0,95
Switching resistance	> 100000
Start-up time	1 second
Ingress Protection	IP65
Protection class	I
Impact resistance	IK 08
Weight	9 kg
Dimensions	L650 x W343 x H132mm
Material	Aluminum, PMMA, Stainless Steel
Dimming	not dimmable dimmable optional: 0-10V, DALI or Zigbee
Others	incl. 2 meter connection with EU plug (EU plug IP20, only for test) Housing color gray/silver
Energy efficiency	C
Lifespan	L80/B10 at 50000 hours
Certificates	CE, RoHS



Our general terms and conditions apply. See also www.ledx.at.
 A deviation of the technical data of +/-10% is possible. Misprints and errors excepted.
 Product pictures are exemplary and may deviate from the original.
 We reserve the right to make formal and technical changes.